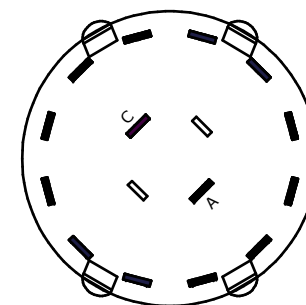
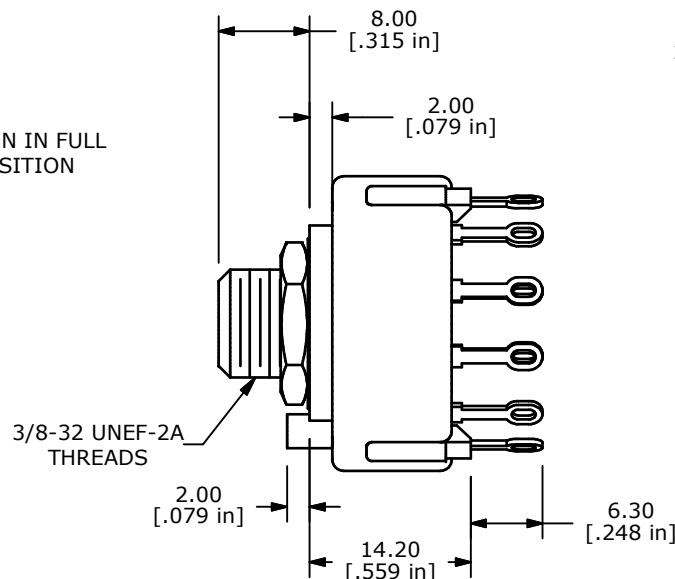
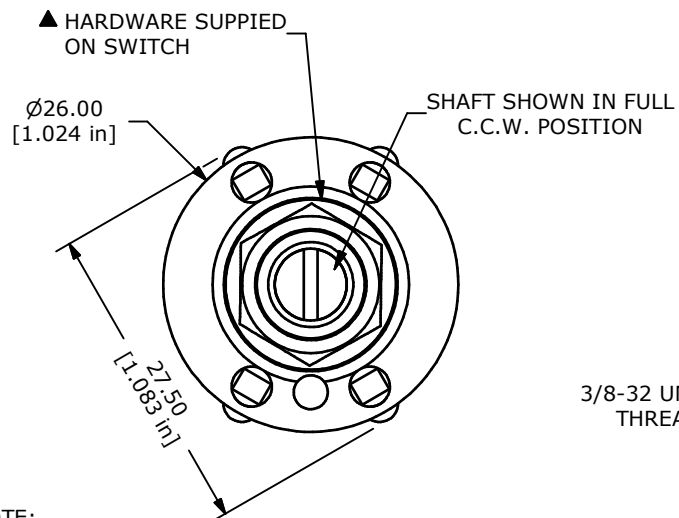
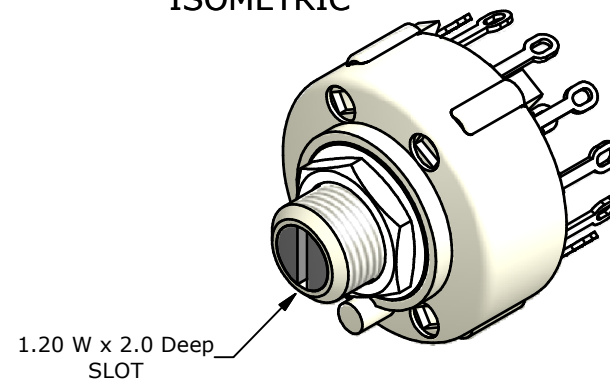


ISOMETRIC



- NOTE:
1. ALL DIMENSIONS IN MM[INCH].
 2. GENERAL TOLERANCE: X.X=± 0.4
X.XX=± 0.25
 3. TERM. NOS. FOR REFERANCE ONLY.
 4. CONTACT MATERIAL: GOLD
 5. CONTACT RATING: 0.3 A @125VAC
 6. CONTACT RATING (NON-SWITCHING) 5A
 7. OPERATING FORCE: 0.8 ± 0.3 Kg-CM
 8. OPERATING TEMP: -30°C TO 85°C
 - ▲ 9. CIRCUIT DP: 6 POSITION 30° INDEX.
 10. DIELECTRIC STRENGTH: 1000V RMS MIN.@ SEA LEVEL.
 - ▲ 11. HARDWARE SUPPLIED ON SWITCH:
LOCKWASHER, HEXNUT, STOP RING
 12. ▲ DENOTES CRITICAL PARAMETER.
 13. 2002/95/EC (ROHS) COMPLIANT



A	18133	RELEASE FOR PRODUCTION	6/17/08	BLR
REV	PCR NO	DESCRIPTION	DATE	BY

TITLE KC26D01NLF				
SCALE	DATE	DR	DWG	REV
1.5:1	6/17/2008	BLR	G523762	A

THE INFORMATION CONTAINED IN THIS DOCUMENT IS PROPRIETARY TO E-SWITCH AND IS NOT TO BE COPIED OR TRANSFERRED